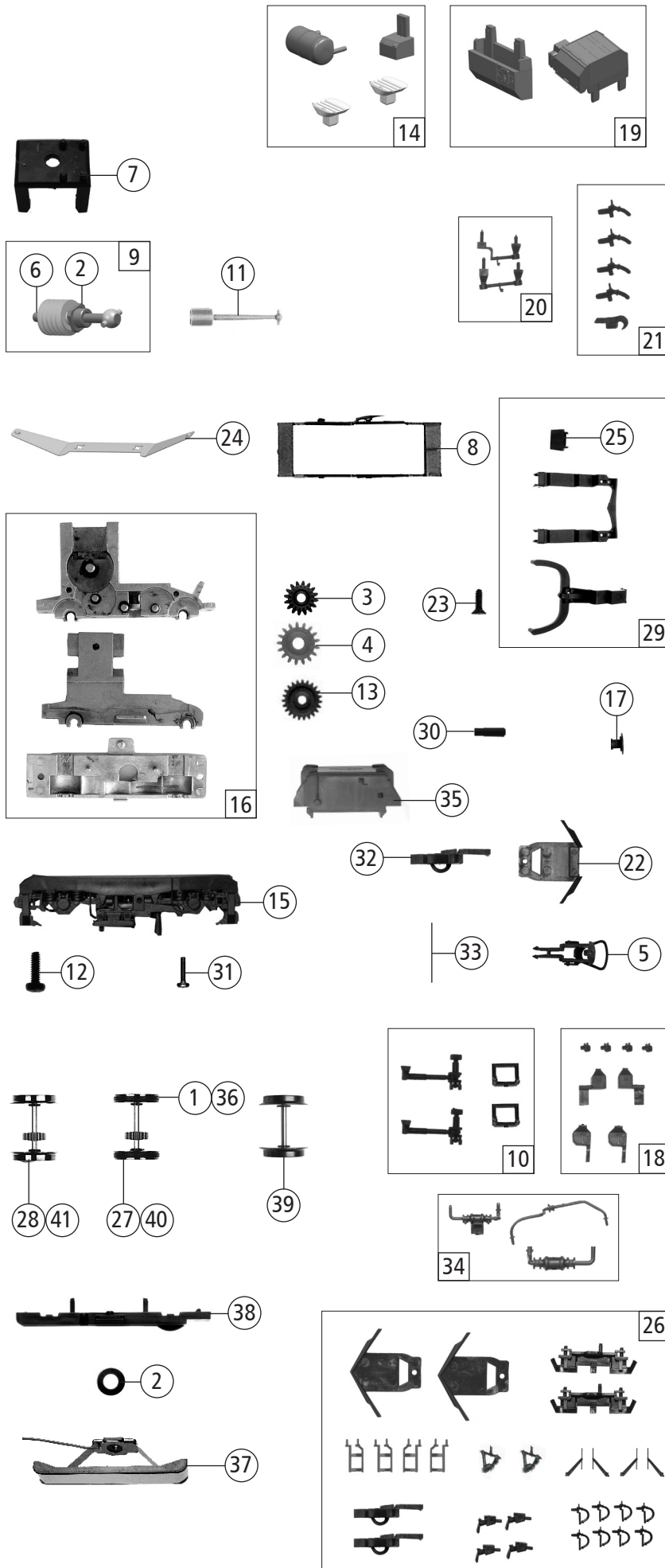


| Pos. Nr.<br>Pos.no.      | Beschreibung<br>Description  | Art.-Nr.<br>Art.no. | Preisgruppe<br>Price bracket |
|--------------------------|--|---------------------|------------------------------|
| 1                        | Motor mit 2 Schwungmassen<br>Motor with 2 flywheels                      | 85111               | 28                           |
| 2                        | Stromabnehmer<br>Pantograph  | 85557               | 19                           |
| 3                        | FK - Schraube<br>FK - Screw  | 85704               | 4                            |
| 4                        | Konusfeder<br>Cone spring  | 86202               | 3                            |
| 5                        | Kardanschale kurz 1,5 mm<br>Cardan reception short 1,5 mm                | 87129               | 4                            |
| 6                        | Motordistanzplatte<br>Motor spacer plate                                 | 135856              | 3                            |
| 7                        | Brückenstecker mit Kondensator<br>Connector with capacitor               | 125666              | 9                            |
| 8                        | Anschlag<br>Stop   | 123876              | 3                            |
| 9                        | GF - Schraube M1,6x6<br>Self-tapping screw M1,6x6                        | 114836              | 3                            |
| 10                       | Platine komplett mit LED-Platine<br>PCB assembly with LED-PCB            | 136040              | 28                           |
| 11                       | Stirnfenster bedruckt<br>Front window printed                            | 131668              | 10                           |
| 12                       | TS - Isolatoren<br>Part set - isolators                                  | 131661              | 10                           |
| 13                       | Isolator und Isolatorsockel<br>Isolator and isolator socket              | 139505              | 6                            |
| 14                       | Dach mit Hauptschalterplatte<br>Roof with mains switch plate             | 139503              | 10                           |
| 15                       | Gehäuse komplett Betr. Nr. 483 102-6<br>Body assembly loco no. 483 102-6 | 139502              | 34                           |
| 16                       | TS - Lichtleiter<br>Part set light conductor                             | 131667              | 12                           |
| 17                       | TS - Frontgriffe<br>Part set front handles                               | 129156              | 6                            |
| 18                       | TS - Griffe lackiert<br>Part set handles painted                         | 138267              | 11                           |
| 19                       | TS - Scheibenwischer<br>Part set windshield wiper                        | 123016              | 6                            |
| 20                       | Haltegriff seitlich<br>Lateral handrail                                  | 123017              | 5                            |
| 21                       | GF - Schraube M2x5 mm<br>Self-tapping screw M2x5 mm                      | 114966              | 3                            |
| 22                       | Hauptleitung<br>Mains line   | 131662              | 12                           |
| 23                       | Grundrahmen<br>Basic frame   | 138171              | 19                           |
| 24                       | TS - Lichtabdeckung<br>Part set light cover                              | 132585              | 7                            |
| 25                       | Kabelhalter<br>Cable holder  | 123030              | 4                            |
| 26                       | Kontaktfeder<br>Contact spring   | 116876              | 3                            |
| 27                       | Pufferbohle<br>Buffer beam   | 135873              | 5                            |
| 28                       | Führerstand<br>Driver's cab  | 138247              | 5                            |
| 29                       | Decoderhalter<br>Decoder holder  | 135876              | 8                            |
| 30                       | TS - Sandkastenleitung<br>Set of sand box pipes                          | 135877              | 6                            |
| 31                       | Dose<br>Socket   | 135858              | 3                            |
| 32                       | Stirnlicht<br>Headlight  | 138255              | 6                            |
| 33                       | Griff waagrecht / kurz<br>Horizontal handrail/short                      | 136051              | 3                            |
| 34                       | UIC Steckdose<br>UIC socket  | 127688              | 3                            |
| 35                       | Hauptschaltergrundplatte<br>Mains switch basic plate                     | 139504              | 4                            |
| 36                       | Gitter klein und groß<br>Grill small and big                             | 131666              | 12                           |
| 37                       | Türfenster<br>Door window  | 131672              | 5                            |
| 38                       | TS - Antenne kurz<br>Part set - antenna short                            | 131673              | 5                            |
| 39                       | Hupe groß und klein<br>Horn big and small                                | 138262              | 6                            |
| <b>AC - Wechselstrom</b> |  |                     |                              |
| 40                       | Decoder 8-polig<br>Decoder 8-pin   | 10884               | ---                          |

Änderungen in Konstruktion und Ausführung vorbehalten  
We reserve the right to change the construction and specification



| Pos. Nr.<br>Pos.no.      | Beschreibung<br>Description  | Art.-Nr.<br>Art.no. | Preisgruppe<br>Price bracket |
|--------------------------|--|---------------------|------------------------------|
| 73669                    | I-NC E 483   |                     |                              |
| 79669                    |  | ~                   |                              |
| 1                        | Hafringsatz 10Stk 12,9-14,6mm<br>Set with traction tyres 10pieces                    | 40070               | ---                          |
| 2                        | Beilagscheibe<br>Washer  | 86108               | 3                            |
| 3                        | Schneckenrad gelb doppelt Z=16/17<br>Double worm gear wheel yellow Z=16/17           | 86419               | 6                            |
| 4                        | Zahnrad Z=17 M=0,4 mm G<br>Gear wheel Z=17 M=0,4 mm G                                | 86418               | 5                            |
| 5                        | Standardkupplung<br>Standard coupling  | 89246               | 6                            |
| 6                        | Lager für Schneckenachse<br>Bearing for worm gear axle                               | 89749               | 6                            |
| 7                        | Schneckendeckel<br>Worm gear cover   | 94707               | 4                            |
| 8                        | Kontakthalterrahmen<br>Contact support frame, complete                               | 106765              | 6                            |
| 9                        | Schneckensatz mit Kardankugel<br>Set of worm gear incl.cardan ball                   | 108995              | 13                           |
| 10                       | TS - Blendensteckteile bedruckt<br>Set of cover plug-in parts printed                | 132582              | 6                            |
| 11                       | Kardanwelle<br>Cardan shaft  | 108332              | 4                            |
| 12                       | GF - Schraube M 1,6X5 mm<br>Self-tapping screw M 1,6X5 mm                            | 115269              | 3                            |
| 13                       | Zahnrad Z=23 gerade M=0,4<br>Gear wheel Z=23 straight M=0,4                          | 111679              | 3                            |
| 14                       | TS - Trafo, ... lackiert<br>Part set transformer painted                             | 131658              | 8                            |
| 15                       | Drehgestellblende<br>Bogie frame   | 139498              | 10                           |
| 16                       | Getriebebesatz 3-teilig<br>Gear set 3-parts  | 120055              | 11                           |
| 17                       | Puffer eckig<br>Rectangular buffer   | 123003              | 3                            |
| 18                       | TS - Sandkasten bedruckt<br>Part set sand box,printed                                | 136032              | 9                            |
| 19                       | Batterie- und Kompressorkasten<br>Battery & compressor box                           | 131657              | 9                            |
| 20                       | TS - Ölleitungen lackiert<br>Set of oil pipes,painted                                | 123011              | 8                            |
| 21                       | TS -Luftschläuche und Kupplungsimitation<br>Part set of air pipes&coupling imitation | 123015              | 6                            |
| 22                       | Schienenräumer<br>Snow plug  | 123021              | 5                            |
| 23                       | SK-Schraube M1,6x4 mm<br>SK-Screw M1,6x4 mm  | 115161              | 3                            |
| 24                       | Radkontakt<br>Wheel contact  | 135865              | 4                            |
| 25                       | Deichselendstück<br>Shaft end  | 135859              | 3                            |
| 26                       | Zurüstbeutel<br>Bag with accessories   | 131674              | 11                           |
| 27                       | Radsatz m. 2 Hafringen und Zahnrad<br>Wheelset with 2 traction tyres w.gear wheel    | 135869              | 12                           |
| 28                       | Radsatz m. Zahnrad o. Hafring<br>Wheelset with gear wheel w/o traction tyres         | 135868              | 11                           |
| 29                       | TS - Kupplung<br>Part set coupling   | 123029              | 6                            |
| 30                       | Pufferhülse<br>Buffer sleeve   | 124668              | 3                            |
| 31                       | GF-Schraube M1,6x8 mm<br>Self-tapping screw M1,6x8mm                                 | 115037              | 3                            |
| 32                       | Kurzkupplung - Vorentkupplung<br>Short coupling- pre-uncoupling                      | 115550              | 6                            |
| 33                       | Kupplungsfeder<br>Coupling spring  | 123024              | 3                            |
| 34                       | TS - Kühlleitungen<br>Part set - cooling lines                                       | 139499              | 7                            |
| 35                       | Drossel<br>Suppressor choke  | 139501              | 3                            |
| <b>AC - Wechselstrom</b> |  |                     |                              |
| 36                       | Hafringsatz 10Stk 12,5-15,3mm<br>Set with traction tyre 10pieces                     | 40075               | ---                          |
| 37                       | Schleifer 42mm<br>Center pick-up 42mm  | 86030               | 14                           |
| 38                       | Getriebeboden<br>Gear bottom   | 113321              | 8                            |
| 39                       | Radsatz o. Hafring o. Zahnrad AC<br>Wheelset w/o tract. tyres w/o gear wheel AC      | 135879              | 10                           |
| 40                       | Radsatz m. 2 Hafringen und Zahnrad AC<br>Wheelset w.2traction tyres w. gear wheel AC | 135880              | 12                           |
| 41                       | Radsatz m. Zahnrad o. Hafring AC<br>Wheelset w.gear wheel w/o traction tyres AC      | 135881              | 11                           |

Ersatzteile erhalten Sie direkt unter [www.roco.cc](http://www.roco.cc), bei Ihrem Fachhändler oder Ihrer Landesvertretung.  
Spare parts can be ordered directly at [www.roco.cc](http://www.roco.cc) and from your local dealer or country representative.